



**PLAST-EQUIP**

**Article code:** DRAIN/00097

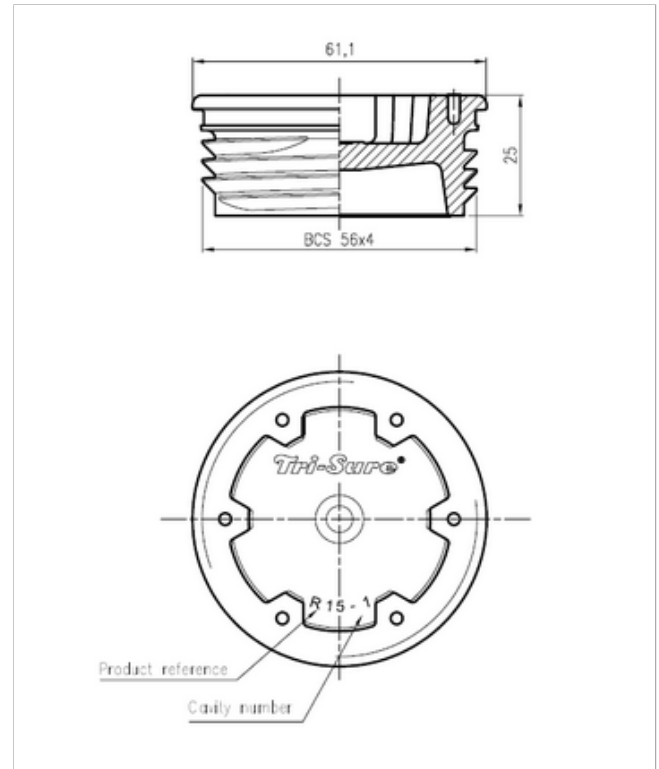
**Article information:** 56x4 PLASTIPLUG™ 6-nock, with black nitrile washer

### GENERAL INFORMATION

- Product group: Manufactured in compliance with ISO-15750-3(steel) & ISO-20848-3(plastic)
- Type model: 6N (56x4) or 2Nock (24x4) type Buttress 4TPI-threaded plugs
- Material: Polypropylene (PP)
- Size: 56x4 PLASTIPLUG™ Plastic plug (4TPI-Buttress)
- Surface print / Finish:
- Washer: Black Nitrile-Washer/Gasket: Black Nitrile Rubber (NBR) is resistant to Petroleum oils. Aromatic Hydrocarbons. Mineral oils. vegetable oils and many Acids. Black Nitrile has excellent sealing properties. Black Nitrile is not FDA compatible.
- Execution: Standard execution

### PACKAGING INFORMATION

- Component weight (grams): 26
- Box quantity (pieces): 500
- Box weight (kg): 13
- Pallet quantity: 13500
- Pallet weight (kg): 397



**Material:** Polypropylene  
**Finish:**

**Item Number:** CLPL00097CLR0001  
**Item Drawing:** TSF-504869

### COMMENTS

- The raw materials used are in compliance with US CONEG §37.0205 and EEC Directive 94/62/EC of 13-12-94 on
  - Packaging waste (<100ppm for Heavy Metal content)
  - "Recommended closing torque specification" please refer to the "Library of brochures"
- Accesories such as hand spanners and adaptors for torque wrenches

**Disclaimer:** All information on our behalf in relation to our products, whether in nature of date, recommendations or otherwise, is supported by research and believed reliable, but we assume no liability whatsoever in respect of application, processing or use made of the aforementioned information or products or any consequence thereof. The user undertakes all liability in respect of the application. Processing or use of the aforementioned information or products, whose quality and other properties he shall verify, or any consequence thereof. No liability whatsoever shall attach to us for any infringement of the rights owned or controlled by a third party on intellectual, industrial or other property byreason of the application, processing or use of the aforementioned information or products by the user.